

P237

Rev. C

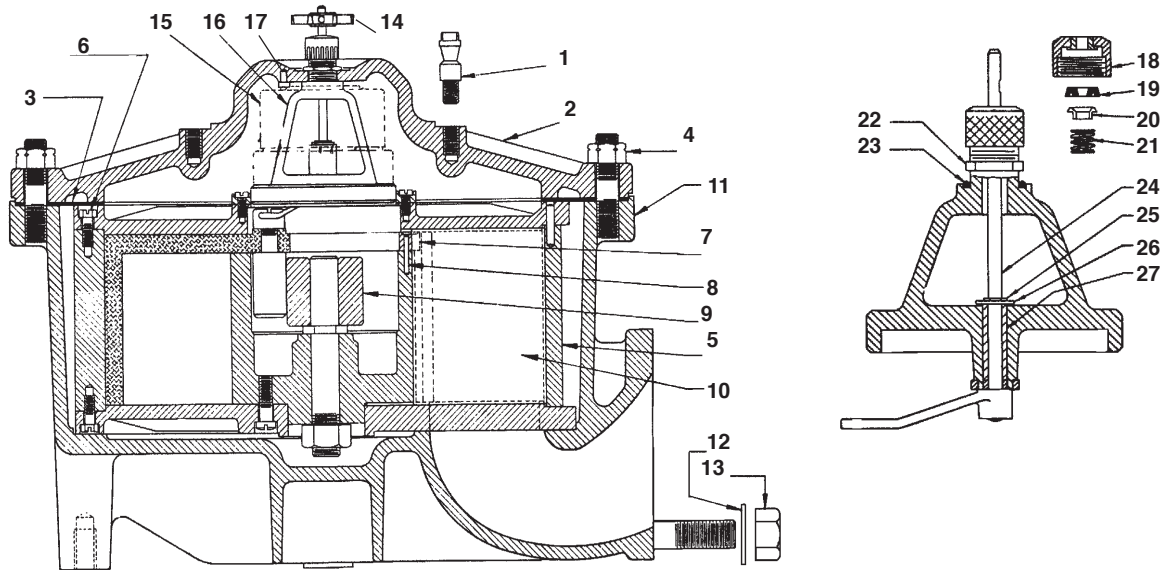
Petroleum Flowmeters:

3" Type 4 (with air release & strainer)

3" Type 4 & 40 (without air release & strainer)



# Parts List for neptune Petroleum Meters



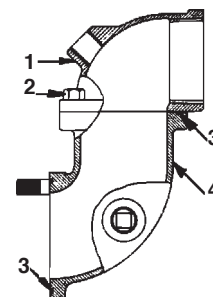
| Index | Part                                | Part No.   |
|-------|-------------------------------------|------------|
| 1     | Stud, Register Clamp                | 084435-000 |
| 2     | Cover, Main Casing                  | 080618-001 |
| 3     | Gasket, Main Casing                 | 043958-004 |
| 4     | Nut, 1/2 - 13 hex, buna (16)        | 086155-000 |
|       | Seal Nut, Drilled (2)               | 008345-422 |
| 5     | Measuring Chamber Complete (Type 4) | C80145-001 |
|       | Type 40                             | C80145-002 |
| 6     | Screw Chamber                       | 088638-000 |
| 7     | Seal Pin                            | 042949-000 |
| 8     | Dowel Stud, Seal Pin                | 008349-002 |
| 9     | Control Roller                      | 042373-002 |
| 10    | Diaphragm                           | 042369-001 |
| 11    | Main Casing                         | 082676-000 |
| 12    | Washer, Flange Stud                 | 000616-000 |
| 13    | Nut, 5/8-11 hex                     | 041226-000 |
| 14    | Star Connection Complete            | 082976-001 |

| Index | Part   | Part No.                 |
|-------|--|--------------------------|
| 15    | *Gear Train Complete,<br>3.125 reduction (liters)<br>11.96 reduction (10 US gallons) | 082679-053<br>082679-051 |
| 16    | Stuffing Box Spindle Housing<br>(1:1 USG)  | 1002350                  |
| 17    | Locking Pin  | 046761-001               |
| 18    | Stuffing Box Nut & Bushing   | 083536-000               |
| 19    | Seal, U-cup Shaft  | 100025-002               |
| 20    | Expander Seal  | 083539-000               |
| 21    | Spring, Stuffing Box   | 083540-000               |
| 22    | Nut, Clamp   | 000034-000               |
| 23    | Gasket, Gear Train, O-ring   | 100138-003               |
| 24    | Spindle & Arm Assembled  | 085623-002               |
| 25    | Ring, Spindle Retaining  | 088462-000               |
| 26    | Spacer, Spindle  | 088286-003               |
| 27    | Bushing, Housing   | 082906-000               |

For gear trains not listed give reductions as stamped on lower plate.

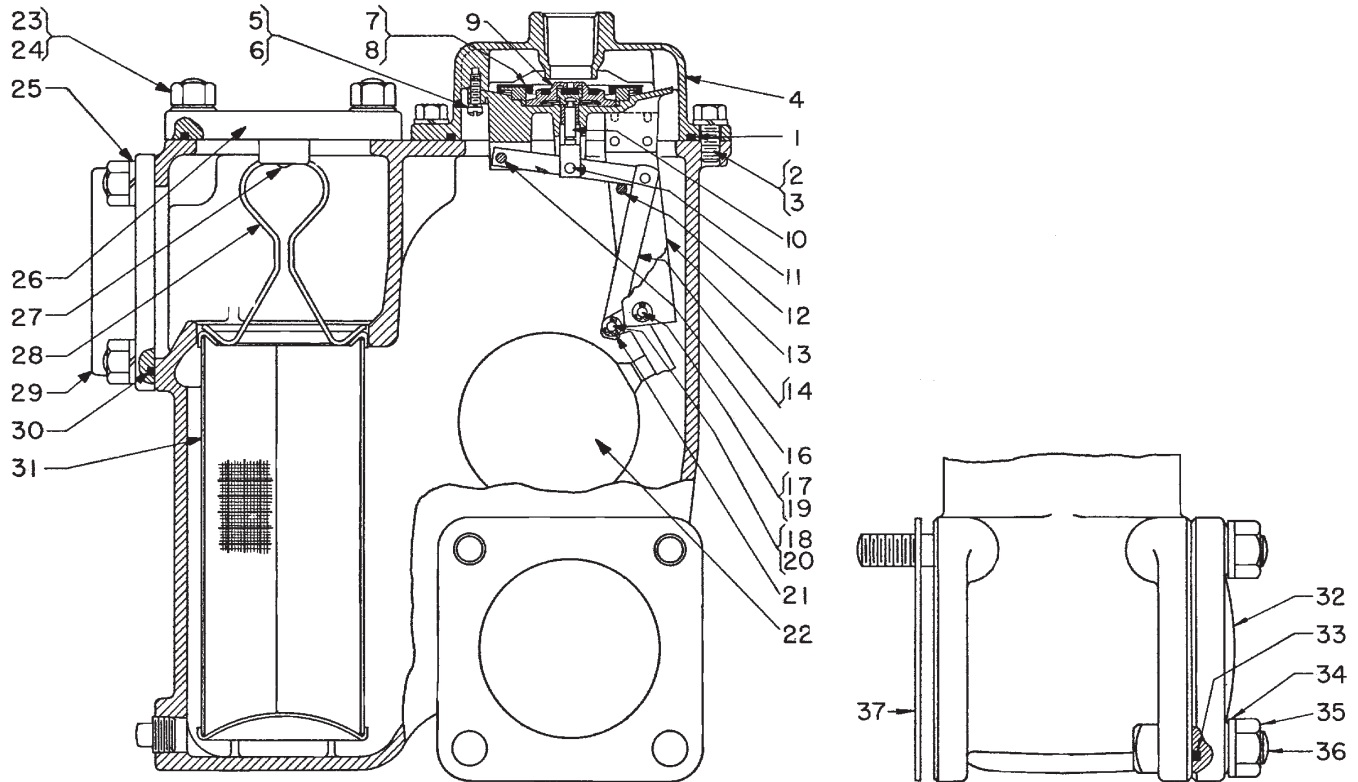
## OUTLET ADAPTER

| Index | Part                              | Part No.   |
|-------|-----------------------------------|------------|
| 1     | Elbow, Adapter, with 3 pipe plugs | 082802-001 |
| 2     | Bolt, 7/16-14 x 1-1/4 hex hd      | 100071-023 |
| 3     | Gasket, O-ring                    | 100139-021 |
| 4     | Body Assembled, Adapter           | 082812-000 |



# TYPE 4 AIR RELEASE AND STRAINER

PART NO. 83901-00X



| Index | Part                          | Part No.   |
|-------|-------------------------------|------------|
| 1     | Gasket, O-ring                | 100139-022 |
| 2     | Bolt, 3/8-16 x 7/8 hex hd     | 008325-014 |
| 3     | Lockwasher, 3/8               | 100440-001 |
| -     | Mounting Cover w/Float Valve  | 083910-001 |
| 4     | Cover, Mounting               | 082451-004 |
| 5     | Screw, 10-32 x 5/8 fil hd     | 041221-002 |
| 6     | Lockwasher No. 10             | 041221-000 |
| 7     | Piston Seal                   | 083179-000 |
| 8     | Sleeve, Main Valve            | 082446-005 |
| 9     | Main Valve Complete           | 089274-010 |
| -     | Valve Hsg & Float Assy        | 086773-001 |
| 10    | Stem, Valve                   | 083127-001 |
| 11    | Pin, Valve Stem               | 042941-000 |
| 12    | Pin, Float Stop               | 040820-004 |
| 13    | Lower, Valve Hsg & Extensions | 083457-101 |
| 14    | Link Assembly                 | 080002-002 |
| 16    | Pin, Valve Lever              | 040819-002 |
| 17    | Pin, Float Lever (long)       | 040820-003 |
| 18    | Pin, Float Lever (short)      | 082633-000 |
| 19    | Washer, long pin              | 040491-000 |
| 20    | Washer, short pin             | 041989-000 |
| 21    | Cotter Pin, 1/16 dia x 1/2    | 041402-000 |

| Index | Part                              | Part No.   |
|-------|-----------------------------------|------------|
| 22    | Float Assembly                    | 082476-001 |
| 23    | Nut, 7/16-14 hex                  | 041118-000 |
| 24    | Washer, Strainer Cover, plain     | 041012-002 |
| 25    | Lockwasher, 7/16                  | 041012-002 |
| 26    | Cover Assembled, Strainer         | 083905-000 |
| 27    | Drive Screw, No. 6 Type U. (P.K.) | 008328-115 |
| 28    | Strap, Retaining                  | 083907-001 |
| 29    | Flange, Inlet                     | 082693-001 |
| 30    | Gasket, O-ring                    | 100139-018 |
| 31    | Strainer, 16 mesh                 | 083909-003 |
|       | 40 mesh                           | 083909-002 |
|       | 60 mesh                           | 083909-001 |
|       | 80 mesh                           | 083909-000 |
| 32    | Cover, Outlet                     | 083904-000 |
| 33    | Gasket, O-ring                    | 100139-020 |
| 34    | Washer, Outlet Cover, plain       | 000616-000 |
| 35    | Nut, 5/8-11 hex                   | 041226-000 |
| 36    | Bolt, 5/8-11x2 sq hd              | 050223-001 |
| 37    | Gasket, Outlet, flat              | 043959-002 |
| -     | Hose with Coupling                | 084106-000 |
| -     | Nipple, 3/4 x 1-3/8 black iron    | 041866-000 |
| -     | Elbow, 3/4 x 90 black iron        | 041100-000 |

**Specify Genuine Neptune Replacement Parts**

**U.S.A./International**  
 1310 Emerald Road  
 Greenwood, SC 29646-9558  
 Tel.: Toll-Free (800) 833-3357  
 (864) 223-1212  
 Fax: (864) 223-0341

© 2010 Itron, Inc. 200 8/10

Specifications subject to change without prior notification.