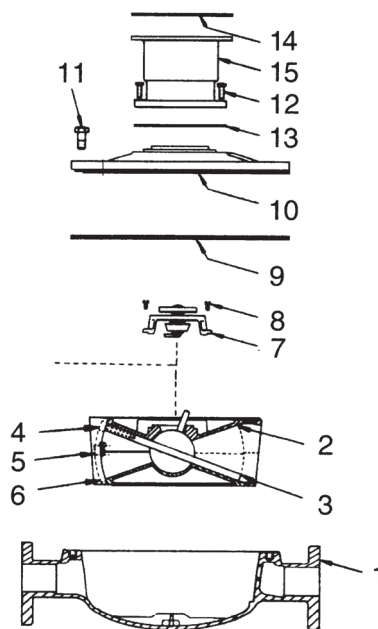


P-106  
 Rev. A  
 Type S Magnetic Drive Flowmeters  
 38.10mm (1-1/2")  
 50.8mm (2")

**Itron**

**neptune**® **Parts List for  
 Type S Magnetic Drive  
 Flowmeters  
 Sizes 1-1/2" & 2"**



Index	Description	Part Number	
		1-1/2"	2"
1	Main Case	4887-007	4890-008
2	Measuring Chamber w/Ryton Disc	788-143	818-137
3	Disc Piston Complete	1410-040	1416-043
4	Roller, Thrust	787-014	817-015
5	Screw, Chamber Assembly	8302-111	8302-111
6	Bearing Plate, Thrust Roller	1994-008	1995-007
7	Drive Assembly (600 Series Register)	100661-001	100652-001
8	Screw, Drive, No. 2x1/4" Type "U"	41692-001	41692-001
9	Gasket, Main Case	4863-008	4864-011
10	Cover, Main Case	100659-001	100650-001
11	Bolt, Main Case, Hex Head 7/16- 14x1-1/4"	100071-042	100071-042
12	Screw, 1/4-28 unf-2A fil hd 3/4 long (600 Series)	100061-025	100061-025
13	Gasket, Lower	100529-001	100529-001
14	Gasket, Upper	100530-001	100530-001
15	Gear Train for 600 Series		
	1 USG	100526-006	100526-005
	10 Liter	100526-008	100526-008
16	600 Series Register Complete (not shown)		
	USG	100498-001	100498-001
	10 Liter	100498-005	

**U.S.A./International**

1310 Emerald Road  
Greenwood, SC 29646-9558  
Tel.: Toll-Free (800) 833-3357

(864) 223-1212

Fax: (864) 223-0341

© 2011 Itron, Inc. 100 2/11

Specifications subject to change without prior notification.

***Itron!***